

# MODULAR SIMPLI-FLEX<sup>®</sup>

## SF SERIES DISPENSER INSTRUCTIONS

### MOUNTING THE DISPENSER:

Gravity fed dispensers may be mounted in any position from vertical to 55° from vertical. Refer to figures 1 and 2.

1. Position wall brackets (5) in desired location allowing sufficient height to dispense.
2. Mark location of screw holes on mounting surface.
3. Pre-drill holes for #10 x 3/4" mounting screws (4) provided.
4. Screw wall brackets to mounting surface.  
**NOTE: screw anchors may be necessary when mounting on drywall or other thin substrate.**
5. Position dispenser tube brackets (6) over wall brackets. Slide dispenser into wall bracket until snug.

### LOADING THE DISPENSER:

Your Modular SIMPLI-FLEX<sup>®</sup> dispenser model is completely self-adjusting and can dispense virtually any size or shape of cup! **Please clean dispenser before use - see below.**

To load cups:

1. Remove lid (1).
2. Unwrap cups and gently drop into dispenser tube. It may be necessary to pull first cup through dispenser opening.
3. Replace lid.

### CLEANING THE DISPENSER:

Your Modular SIMPLI-FLEX<sup>®</sup> dispenser is designed to provide an easy means of dispensing. The dispenser can be completely disassembled without tools to make regular cleaning simple and painless! Regular cleaning will prolong the life of the dispenser, keep it looking new and ensure sanitary dispensing.

### TO CLEAN DISPENSER:

1. Remove dispenser from wall or mounting location.
2. Remove lid (1), clamp ring (3) and gasket (2).
3. Clean lid, clamp ring and gasket in hot, soapy water. Air dry. **Note: These parts are dishwasher safe.**
4. Rinse inside of dispenser tube and wipe with a non-toxic cleaner/sanitizer.
5. Exterior of tube may be cleaned with any glass cleaner and a soft cloth.
6. Reassemble dispenser in reverse of above.

MOUNTING LOCATION

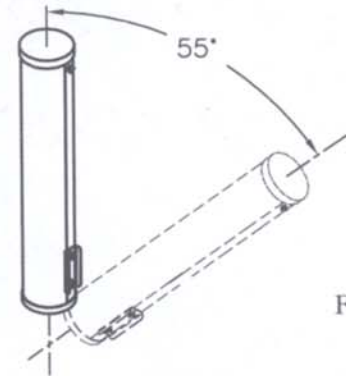


FIG. 1

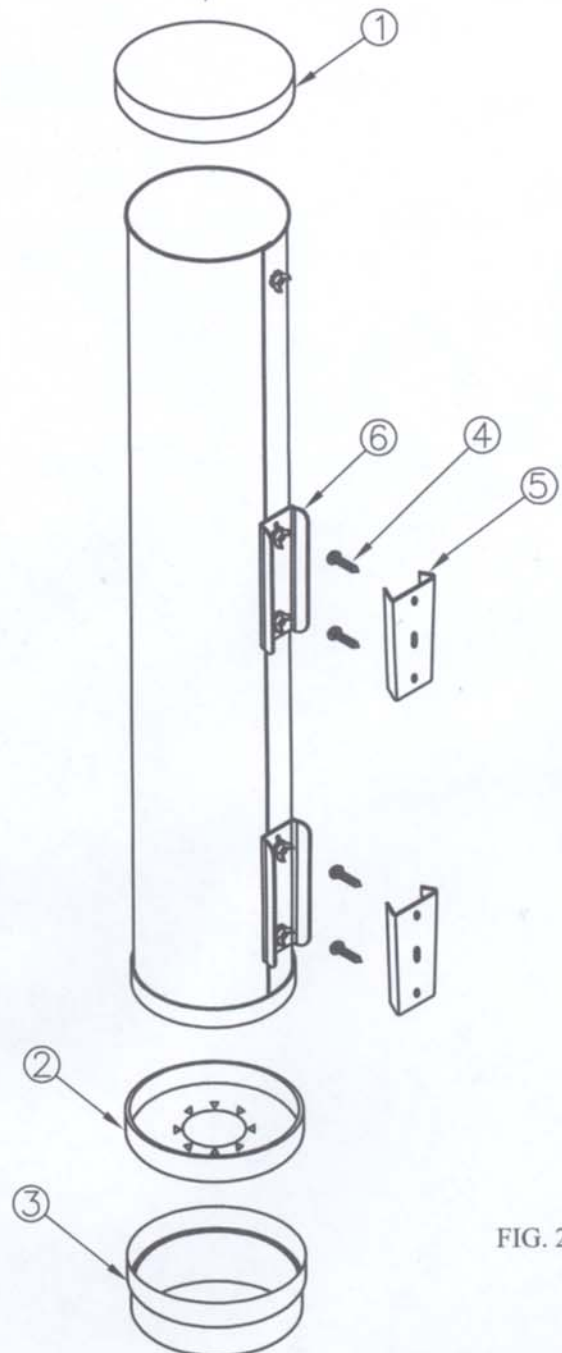


FIG. 2