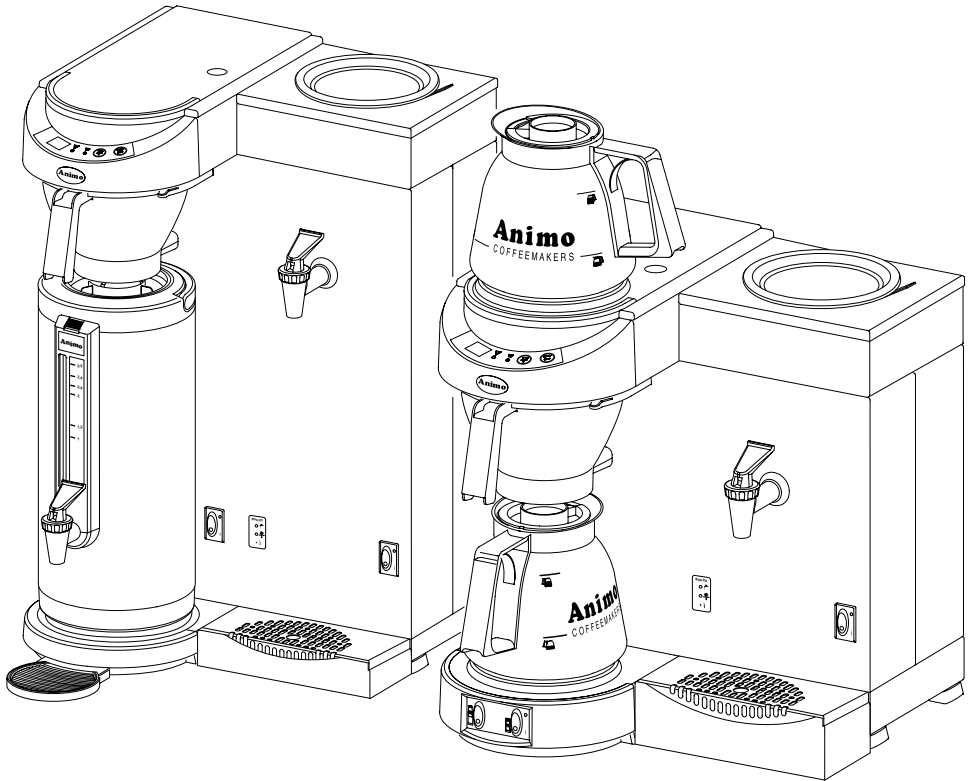
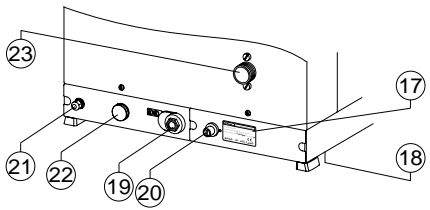
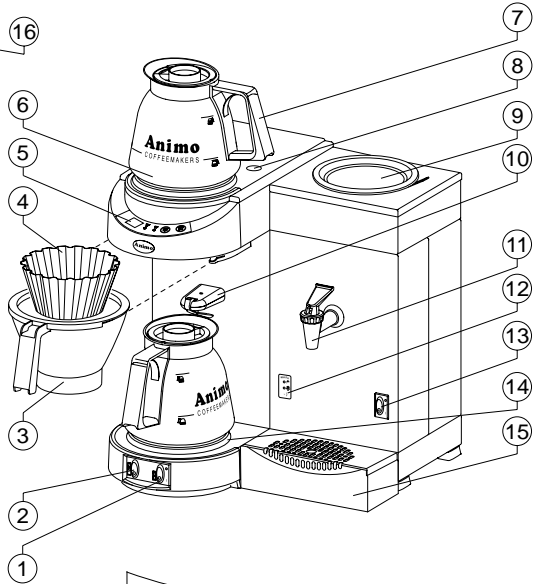
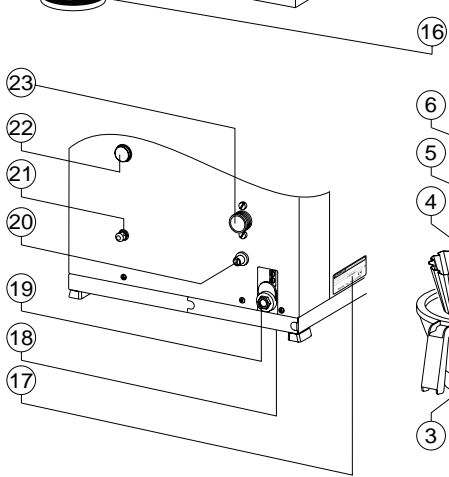
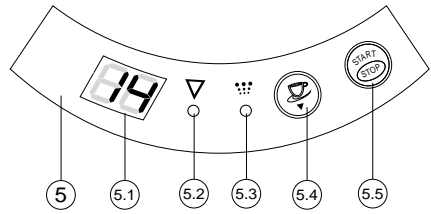
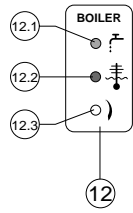
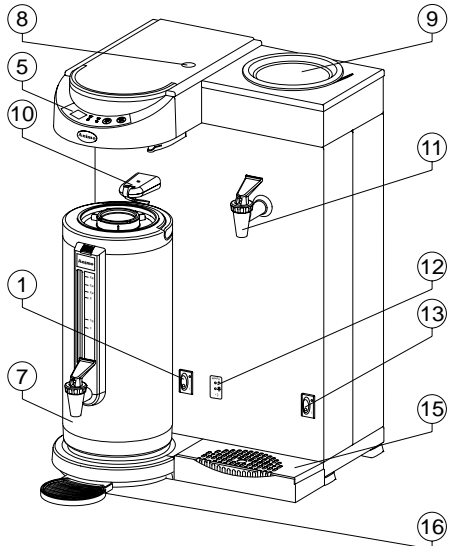


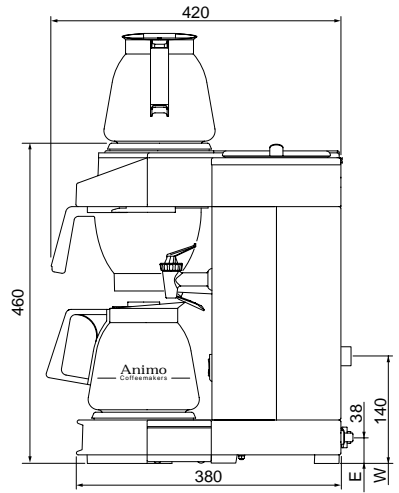
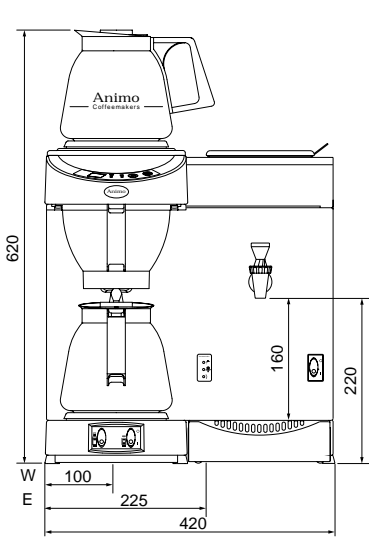
M200W, M202W, MT200W MT202W



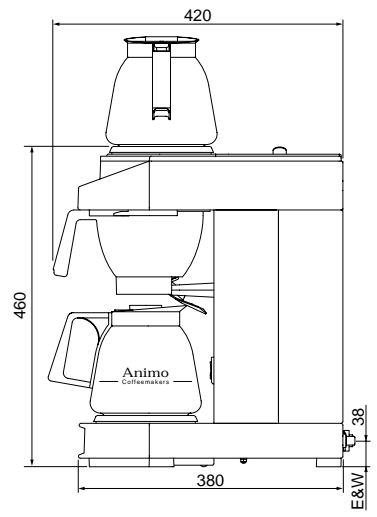
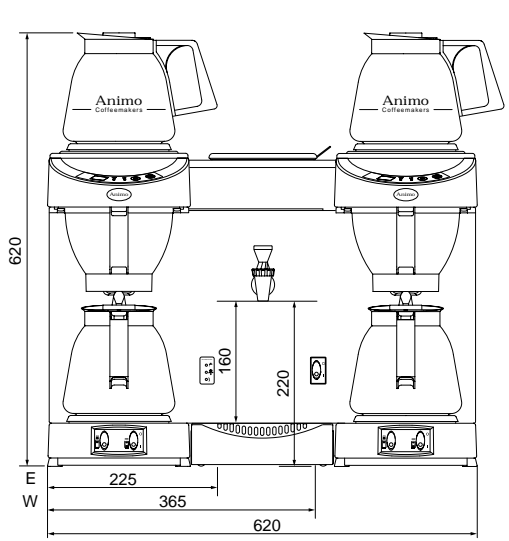
GB Manual

Animo

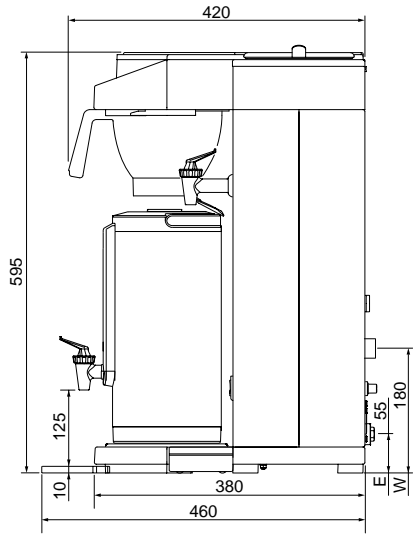
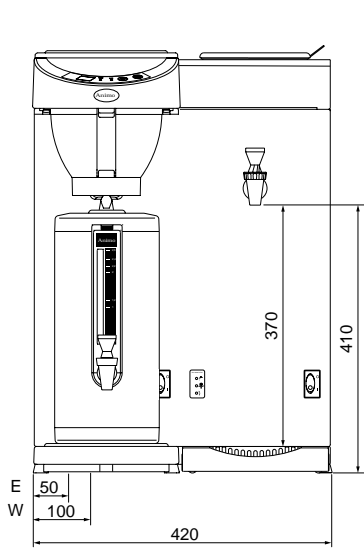




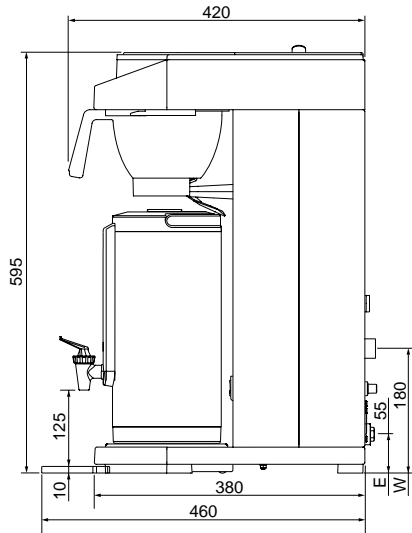
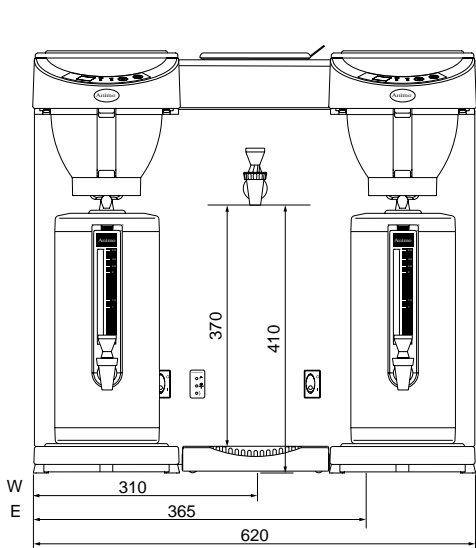
M200W fig. 1/Abb. 1



M202W fig. 2/Abb. 2



MT200W fig. 3/Abb. 3



MT202W fig. 4/Abb. 4

Table of Contents

	Preface	23
	Introduction	24
	Safety instructions and danger warnings	25
	Safeguards	26
	Appliances and the environment	27
1.	General	28
1.1	A quick look at the appliance	28
1.1.1	Most important parts	28
1.1.2	Control panel	28
2.	Technical details	29
3.	Installation	30
3.1	Unpacking	30
3.2	Installation	30
3.2.1	Preparation for positioning the appliance	30
3.2.2	Electrical connection	30
3.2.3	connection to the water mains	31
3.2.4	Water drainage	31
3.2.5	First time use	31
3.2.6	Setting the descale indicator	32
3.2.7	Resetting the descale indicator light	32
4.	Daily use	33
4.1	Leak stop	33
4.2	Coffee quantity	33
4.3	Making coffee	34
4.4	Termination of the brewing process?	34
4.5	Water boiler	35
4.6	The water boiler in use	35
5.	Settings	35
5.1	Setting of the amount of coffee	35
5.2	Setting of the display to show cups or litres	36
5.3	Setting of the prewet function	36
5.4	Setting the temperature of the water boiler	36
6.	Maintenance	37
6.1	Cleaning of the appliance and accessories	37
6.1.1	Removing coffee deposits from glass jug and filter	37
6.1.2	Removing coffee deposits from thermos jug	37
6.2	Descaling	38
6.2.1	Descaling the coffeemaker	38
6.2.2	Switching-off the descaling indicator light	39
6.2.3	Descaling the water boiler	39
7.	Troubleshooting	40
8.	Ordering consumer articles and accessories	42

© 2001 **Animo**®

All rights reserved.

No part of this document may be reproduced and/or publised by means of printing, microfilm, electronic or any other means whatsoever without the prior written permission of the manufacturer. This also applies to the accompanying drawings and/or diagrams.

Animo reserves the right to change parts at any time without giving prior or direct notification to the customer. The contents of this manual can also be changed without prior notification.

This manual covers the standard model of the appliance. Animo can therefore not be held liable for any losses arising from the fact that the specifications of the appliance supplied to you deviate from the standard model. Please contact your supplier's service department for information concerning adjustment, maintenance or repairs not covered by this manual.

Although this manual was produced with the greatest possible care, the manufacturer is unable to accept liability for errors in this document or their consequences.

You are advised to carefully read the instructions in this document: they contain important information about safety when installing, using and maintaining the appliance. Keep this document in a safe place so that you can consult it when necessary.

Preface

Purpose of this document

This document serves as a manual that enables qualified personnel to safely install, program and maintain the coffee maker.

- 'Qualified personnel' are defined as people that can program the appliance, perform maintenance on it and repair minor faults.

All of the chapters and paragraphs are numbered. The various illustrations to which the text refers are given in the fold-out sheets or at the back of this booklet or under the particular subjects.

Icons and symbols



NOTICE

General instruction for: IMPORTANT, NOTE or REMARK.



CAUTION !

Warning of possible damage to the appliance, the surroundings or the environment.



WARNING

Warning of possible serious damage to the appliance or physical injury.



WARNING

Warning of electricity hazard.

Introduction

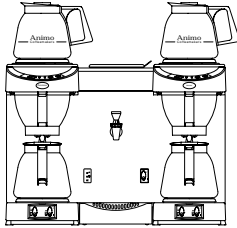
Congratulations on your purchase of one of our products. We hope that you will enjoy using it.

Models

This manual covers the following coffee makers fitted with a water boiler:

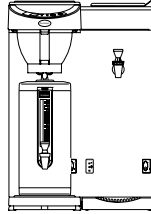


M200W

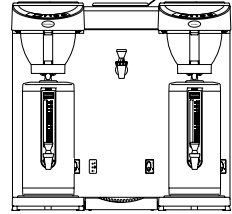


M202W

double model



MT200W



MT202W

double model

Purpose of the appliance

The sole purpose of this appliance is to make coffee and/or tea.

Do not use the water boiler to heat and/or cook liquids other than water.

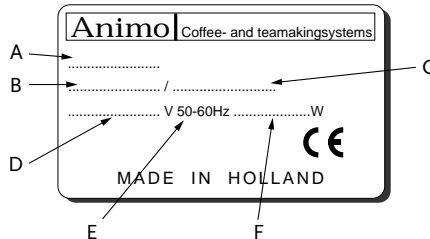
The use of the appliance for other purposes is not permitted and may be hazardous.

The manufacturer cannot be held liable for losses caused by using the appliance for purposes other than those indicated here or by incorrect use.

Service and technical support

Please contact your dealer for information not given in this document regarding specific adjustment, maintenance and repairs. Before contacting your dealer you should note the following appliance details, marked with a #. You will find these details on the type plate attached to your appliance (14).

- A - Type #
- B - Article number #
- C - Machine number #
- D - Supply voltage
- E - Frequency
- F - Output



Guarantee conditions

The guarantee conditions applicable to this appliance form an integral part of the general terms of delivery.

Directives

This appliance meets the requirements of the EMC Directive 89/336/EEC, and the Low Voltage Directive 72/23/EEC.

Safety instructions and danger warnings

This appliance meets the mandatory safety regulations. Inexpert use can result in personal injury and material damage. The following warnings and safety instructions must be observed before using the coffee maker.

Instructions for use

Read these instructions for use carefully, before using this appliance. This will protect your safety and prevent damage being caused to the appliance. Perform the various actions in the order given. Always keep this manual close by the appliance.

Installation

- Place the appliance at buffet height and on a firm, level base, in such a way that it can be connected to the water supply and power supply.
- Connect the appliance to an earthed wall socket.
- Position the appliance in such a way that no damage can be caused if it leaks.
- Do not tilt the appliance, always position and move the appliance upright.
- The coffee maker is fitted with an overflow device that discharges at the bottom of the appliance - take this into account when positioning the appliance.
- Water always remains in the heating system: for this reason the appliance must not be placed in an area where the temperature can fall below freezing point.
- When installing the appliance, always observe the local rules and use approved materials and parts.
- The 'Installation' chapter must again be followed when repositioning the appliance.
- Connect the appliance to the cold water mains.

Usage

- Inspect the appliance before using it and check it for damage.
- Never submerge or spray the appliance.
- Do not press the buttons with a sharp object.
- Protect the controls against dirt and grease.
- It is advisable to take the plug out of the socket and close the water tap if the appliance is not going to be used for longer periods of time.

Maintenance and troubleshooting

- Observe the descaling intervals indicated by the descaling indicator light. Overdue maintenance to the heating system can result in high repair costs and annulment of the guarantee.
- Always follow the manufacturer's instructions when using the descaling agent.
- Do not leave the appliance unattended when maintenance is being performed.
- When descaling the appliance, it is advisable to wear safety glasses and protective gloves.
- Flush the appliance at least twice after descaling it.

- Wash your hands thoroughly after descaling the appliance.
- Always have repairs carried out by a qualified service engineer.
- The plug must be taken out of the socket if the appliance has to be opened for cleaning or repairs.

The manufacturer cannot be held liable for losses caused as a result of failure to observe these safety instructions.

Safeguards

The appliance is fitted with the following safeguards:

Dry-boil protection (20+21)

This appliance is equipped with two dry-boil protectors on the back. The protector on the left (21) is that of the water boiler. On the right (20) is the one for the coffeemaker. These protectors are switched off if the heating elements get overheated as a result of a fault. This appliance is equipped with a dry-boil protection. This protection triggers if the heating element overheats owing to a fault. Once the fault has been resolved, the dry-boil protection can be reset at the back of the appliance. The most common cause of the dry-boil protection being triggered is not descaling the heating system in time.

If the heating system does not switch back on, proceed as follows:

1. Allow the appliance to cool down.
2. Unscrew the protective cap.
3. Press the button which is now visible and firmly screw the protective cap back on.

If the dry-boil protection triggers owing to increased scale deposits, descale the appliance. See chapter 6.2 Consult your dealer if the fault was caused by a problem other than the dry-boil protection being triggered.

On/off switch (1+13)

Each appliance is switched on/off separately using the on/off switch (1+13). Remember that the appliance can still be live after switching it off! For this reason you should always remove the plug from the socket to render the appliance voltage-free.

Start/stop button (5.5)

The coffee making process can be interrupted at any point using the start/stop button located on the control panel.

Jug detector (10)

This appliance is fitted with a jug detector that operates the leak stop under the filter. This jug detector also ensures that the appliance only makes coffee if there is a jug under the filter. If the jug is removed during the coffee brewing process, the process will be interrupted and the filter will stop leaking.

Overflow safeguard

The amount of water required is regulated and monitored by flow and level sensors.

coffeemaker: If one of the two sensors detects an irregularity, the appliance switches off and both indicator lights will flicker.

Water boiler: if the water level of the water boiler reaches the maximum level sensor, the machine will shut off and both indicator lights (12.1+12.2) will start to flicker.

Appliances and the environment

The packing material

Your new coffee maker has been carefully packaged to protect it against damage.

The packing is not harmful to the environment and consists of the following materials:

- Corrugated cardboard
- Filler elements made of polyurethane foam <PUR> covered with a polythene film (>PE-HD<). The waste processing plant in your municipality will be pleased to inform you about where you can dispose of the materials.

Discarding the appliance

No appliance lasts forever. When the time comes to discard your appliance it will usually be possible to return it to your dealer. If this is not the case, ask your municipal council about the alternatives for recycling the materials. All plastic parts have been given standard codes.

The parts of the appliance such as the printed circuit board and accompanying parts form electrical and electronic waste. The metal body is made of stainless steel and can be completely dismantled.

1. General

1.1 A quick look at the appliance

The most important parts of the appliance are shown in the fold-out sheet in this manual. Keep the fold-out sheet open when reading the instructions.

1.1.1 Most important parts

- | | |
|---|---------------------------------------|
| 1. Appliance on/off switch coffee making section and bottom hot plate | 11. Hot water tap |
| 2. On/off switch for top hot plate | 12. Indicator panel water boiler |
| 3. Basket filter with leak stop device | 12.1 Refill indicator light |
| 4. Basket filter paper | 12.2 Temperature ok indicator light |
| 5. Control panel coffeemaker | 12.3 Temperature setting water boiler |
| 5.1 Display | 13. On/off switch water boiler |
| 5.2 Descale indicator light | 14. Bottom hot plate |
| 5.3 Brewing process indicator light | 15. Stainless steel drip tray |
| 5.4 Selection button | 16. Synthetic drip tray |
| 5.5 Start/stop button | 17. Type plate |
| 6. Top hot plate | 18. Water drain |
| 7. Glass jug/thermos flask | 19. Connection cable with plug |
| 8. Descaling opening | 20. Dry-boil protection coffeemaker |
| 9. Water boiler | 21. Dry-boil protection water boiler |
| 10. Jug detector | 22. Drainage water boiler |
| | 23. Water connection |

1.1.2 Control panel

The control panel of the coffeemaker has the following functions:

CAUTION !

- Never press de buttons with a sharp object.
- Protect the controls against dirt and grease.



Display (5.1); The display shows the selected amount of coffee, in terms of cups. For display in litres, see chapter 5.2.

While the coffee is being made the display alternately shows the selected amount and the amount of coffee that has already been made.



Descal indicator light (5.2); The red indicator light will light up if the appliance needs to be descaled. The appliance will continue to work so that it can be descaled when it is not being used. See also chapter 6.2.



Brewing process indicator light (5.3); The green indicator light lights up when the coffee passes through the system. At the end of the coffee making process a signal sounds three times and the green indicator light goes out. The indicator light flickers if the jug is temporarily removed during the coffee making process. A signal will also sound indicating that the coffee making process has temporarily stopped.



Sound signals;

Sounds three times at the end of the coffee making process.
 Sounds once if the jug is removed during the coffee making process.
 A long signal sounds when the appliance is switched on.



Selection button (5.4); The selection button is used to reduce the amount of coffee set in the display. When the lowest value is reached the display returns to the maximum amount.



Start/stop button (5.5); The start/stop button is used to start and (emergency) stop the coffee making process.

The indicator panel of the water boiler has the following functions;



Refill indicator light (12.1): the yellow indicator light will light up if the water boiler needs to be refilled. The heating element will turn off.
 The indicator light turns off when the water boiler has filled up sufficiently.



Temperature ok indicator light (12.2): The green indicator light lights up when the water boiler has reached the correct temperature.
 The control light turns off when the water temperature is too low.



Temperature adjuster water boiler (12.3): With this adjuster the water boiler temperature can be increased/reduced, using a small screwdriver. See chapter 5.4: Setting the water temperature of the water boiler.

2. Technical details

Model	M200W	M202W	MT200W	MT202W
Article number	10555	10565	10575	10580
Buffer stock coffee	3,6 l./ 28 cups	7,2 l. / 56 cups	2,4 l. / 19 cups	4,8 l. / 38 cups
Hourly coffee capacity	14 l./112 cups	36 l./288 cups	14 l./112 cups	36 l./288 cups
Jug filling time	approx. 8 min.	approx. 6 min.	approx. 8 min./2,4 l.	approx. 8 min./2,4 l.
coffee amount	1 -3 l.	1 -3 l.	1 -3 l.	1 -3 l.
Buffer stock hot water	1,8 l./14 cups	1,8 l./14 cups	1,8 l./14 cups	1,8 l./14 cups
Hour capacity hot water	16 l./128 cups	21 l./168 cups	16 l./128 cups	21 l./168 cups
Heating time water boiler	11 min.	9 min.	11 min.	9 min.
Supply voltage	220-240V~	3N 380-415V~	220-240V~	3N 380-415V~
Frequency	50-60Cy	50-60Cy	50-60Cy	50-60Cy
Total output	3350W	6600W	3200W	6300W
Filter paper	90/250	90/250	90/250	90/250
Min. water pressure	0,02 MPa (0,2 bar)	0,02 MPa (0,2 bar)	0,02 MPa (0,2 bar)	0,02 MPa (0,2 bar)
Max. water pressure	1 MPa (10 bar)	1 MPa (10 bar)	1 MPa (10 bar)	1 MPa (10 bar)
Dimensions	See fig. 1	See fig. 2	See fig. 3	See fig. 4
Empty weight	12,2 kg	19 kg	15,3 kg	23,3 kg
Transport dimensions (lxwxh)	600x490x540 mm	700x600x540 mm	490x450x940 mm	690x450x940 mm
Transport weight	15,5 kg.	23,4 kg.	20 kg.	28,5 kg.

All technical details are subject to change

3. Installation

3.1 Unpacking

The machine has been carefully packed to prevent damage being caused to your new coffee maker. Remove the packing carefully without using sharp objects. Check if the appliance is complete. The appliance is delivered with the following accessories:

	M200W	M202W	MT200W	MT200W
Glass jug	2	4	-	-
Thermos container	-	-	1	2
Basket filter	1	2	1	1
Filter paper (25 pcs.)	1	1	1	1
Coffee measuring cup	1	1	1	1
Funnel	1	1	1	1
Water connection hose	1	1	1	1
Coffee fur remover	1	1	1	1
Scale remover	1	1	1	1
Manual	1	1	1	1
Synthetic drip tray	-	-	1	2
Stainless steel drip tray	1	1	1	1

Please contact your dealer if any parts are missing or damaged.

CAUTION

- Water always remains in the heating system: for this reason the appliance must not be placed in an area where the temperature can fall below freezing point.

3.2 Installation

3.2.1 Preparation for positioning the appliance

- Position the appliance at buffet height on a firm, level base that can bear the weight of the appliance when it is filled.
- Position the appliance level and in such a way that it cannot cause any damage if it leaks.
- The water supply pipe (G3/4" pipe 15mm) and the power connection must be situated within half a metre of the appliance.
- The owner must have these installation-technical preparations performed by qualified engineers in accordance with general and local regulations.
- The service engineer may only connect the appliance to the prepared connections.

3.2.2 Electrical connection

Supply voltages and frequencies can differ between countries. Check if the appliance is suitable for connection to the local power mains. Check if the details on the type plate correspond. Connect the appliance to an earthed wall socket.

3.2.3 Connection to the water mains

Connect the appliance using the water hose to an easily accessible aeration tap that can be quickly closed if problems arise.

3.2.4 Water drainage (18)

If the reservoir of the coffeemaker is overfilled owing to a defect, the excessive water will be discharged via the water drain (18) at the bottom of the appliance. Make allowance for this when positioning the appliance!

WARNING

- Ensure that the mains lead does not come into contact with the hot plates (if present).
-


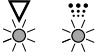

3.2.5 First time use

When used for the first time the appliance works according to the standard factory settings. The various settings can be altered by authorised personnel. See chapter 5. Settings.

1. Connect the water connection hose (supplied) to the swivel nut on the back of the appliance and to a manually-operated aeration tap. **NB!** Only cold water. Open the water tap and check the connection for leaks.
2. Slide an empty basket filter (3) into the appliance and place an empty jug (with lid) under it.
3. Check if all on/off switches (1 + 2, if present) are at the 0 position.
4. Put the plug in the socket.
5. Switch on the appliance of the coffeemaker by setting the on/off switch (1) to position I. The indicator lights (5.2) and (5.3) lights will light up and you will hear a signal. The display (5.1) will then show the preset standard number of cups.
6. Press the start/stop button and the internal reservoir will fill up. Press the start/stop button again if water has not started flowing after three minutes.
7. The green indicator light (5.3) will now light up until the appliance has finished making the coffee.
8. Once the appliance has completed the process a signal will sound after about 1.5 minutes and the green indicator light (5.3) will go out.
9. Follow the above procedure again for the other coffeemaker if the model has a double coffee making system (M(T)202W).
10. After emptying the jug, the coffeemaker is ready for use.
11. Switch the water boiler on by turning the on/off switch (13) to 1. The indicator lights (12.1) and (12.2) will light up. The water boiler will fill automatically and the water heats up. During the filling, the yellow indicator light will be on. The green indicator light (12.2) will light up when the water is heated sufficiently.
12. Tap (11) all of the first heated water out of the water boiler and discard it. The water boiler will refill with fresh water automatically. Fill up the water boiler with fresh water. After this, the appliance is ready for use.

3.2.6 Setting the descale indicator

Scale deposits are left in the heating system when the appliance is used. The amount of scaling depends on the hardness of the water being used. The coffeemaker is fitted with a descale indicator light (5.2), which lights up when the heating system has processed a certain quantity of water and has to be descaled. The appliance continues to work so that it can be descaled when it is not being used.

Position	Indication lights	Brewing processes	Hardness		
			°D	mmol/l	°f
Soft		512	< 8	< 1,44	< 14
Normal*		256	8 – 12	1,44 – 2,16	14-21
Hard		128	> 12	> 2,16	> 21

*Standard setting

If you are unaware of the hardness of your tap-water, you are advised to contact your local water supply company.

Set the appliance to your water hardness as follows, using the table above as a guideline.

1. Switch off the appliance (1)
2. Hold in the Selection button (5.4) and switch the appliance back on.
3. Press the Selection button (5.4) until the right indicator light (5.2 / 5.3) lights up. (E.g. only the red lamp should light up for hard water).
4. Wait for 6 seconds. The water hardness has now been set.

3.2.7 Resetting the descale indicator light

After the descaling procedure (see chapter 6.2.1) hold in the selection button for 6 seconds. The descale indicator light will now go out.

4. Daily use

When using the appliance you may find that certain settings do not entirely match your requirements.

- Chapter 5 explains how all settings can be adjusted by qualified personnel.
- Chapter 6 explains how the appliance must be maintained by qualified personnel.



NOTICE

- The leak stop can only work if the jug detector is pressed in sufficiently by the jug. If you use a coffee jug with a narrow neck the jug detector will not be pressed in sufficiently and the appliance will not start.

4.1 Leak stop

This appliance is fitted with a leak stop that ensures that no coffee drips out of the filter when you:

- briefly take away the jug during the brewing process: the jug detector (9) 'sees' that you have removed the jug and interrupts the brewing process.
A short audible signal will sound and the green indicator light (5.3) will flicker. The brewing process will resume when you replace the jug.
- take away the jug after making coffee.
- after making coffee take the filter out of the appliance to empty it.

4.2 Coffee quantity



NOTICE

Basic instructions for brewing coffee

- Use fine-grind coffee.
- Keep the jugs and the basket filter clean.

The amount of coffee can be measured using the coffee measuring cup supplied and generally amounts to 35 to 50 grams per litre.

Jug	Glass jug	Thermos container
Content	1.8 litres	2.4 litres
Coffee	65-90 grams	85-120 grams

4.3 Making coffee

1. Place a sheet of basket filter paper containing the desired amount of coffee (fast filter type) in the basket filter. See the table above for the amount of coffee required. A level coffee measure is approximately 80 grams.
2. Slide the basket filter (3) into the appliance.
3. Place the jug, with the lid on it, under the filter. **NB!** For the MT200 model, leave the lid of the thermos jug with pump open, and leave the riser tube in the jug.
4. Switch on the coffeemaker using the on/off switch (1). The light in the switch will come on and the lower heating plate will switch on.
5. Select the desired amount in the display (5.1) using the selection button (5.4).
6. Press the start/stop button, the green indicator light (5.3) will switch on and the appliance will start making coffee. While the appliance is making coffee the display (5.1) will alternately show the selected quantity and the amount of coffee that has already been made.
7. Once the coffee making process has been completed the green indicator light (5.3) will go out and an audible signal will sound three times, indicating that the coffee is ready. The jug can be removed before the filter has been completely emptied, but there will be no audible signal if this is done. Once the filter has been cleaned you can immediately carry on making coffee.
8. Pour out the coffee or place the jug on the top hot plate (6) (except for the MT models). The top hot plate is switched on separately using the on/off switch (2). Always switch off the extra hot plate when it is not being used.
9. After cleaning the basket filter the appliance can immediately be used to make the next serving of coffee.

4.4 Termination of the brewing process?

The process can be stopped at any moment.

- By once again pressing the start/stop button (5.5). If the start/stop button is then pressed again, the process will start again from the beginning! To avoid aborting an interrupted coffee making process, use the selection button (5.4) to select a smaller quantity of coffee so that the amount already made does not overflow.
- Remove the jug from under the filter. The jug detector (9) will temporarily interrupt the coffee making process and the leak stop will prevent the filter (3) from dripping. The green indicator light (5.3) will flicker, and a short audible signal will sound. When the jug is replaced under the filter the coffee brewing process resumes and will be completed.

4.5 Water boiler

The appliance is fitted with a water boiler (9) suitable for drawing off small amounts of hot water. The water boiler is refilled automatically and kept at the right temperature.

1. Switch the water boiler on using the on/off switch (13). The light in the switch will light up.
2. After approx. 11 minutes the water is heated up and the green temperature ok indicator light (12.2) will light up. Hot water can now be drawn off using the no-drip (11) tap.
3. When hot water is being drawn off, the water boiler will refill automatically. During the filling the yellow refill indicator light (12.1) will go on.

4.6 The water boiler in use

- Tap hot water off (a maximum of 1.8 litres at a time).
It will take approx. 5 minutes before the temperature of the water boiler is restored.
(M(T)202W approx. 4 min.)
- When the green temperature indicator light (12.2) turns on, new hot water can be drawn off.

5. Settings

WARNING

- The jug will overflow if the set coffee quantity is too high.
 - The manufacturer is unable to accept any liability for the consequences of altered settings.
-

5.1 Setting of the amount of coffee

Both the M and the MT models are supplied as standard set to make coffee using 1.8 litres of water (14 cups). If this is too much or too little, or if you are using an MT model in combination with a thermos jug with a greater capacity, you can adjust the quantity as follows:

1. Press the selection button (5.4) and hold it in, and then press the start/stop button (5.5) once. A number will appear in the display.
2. Release both buttons. The display will show the set value. The standard setting is 20 (1.8 l. / 14 cups).
3. Press the selection button (5.4) to increase the amount. Each increase in the display puts approximately 4 ml more water in the jug. Use the table at the back of this manual.
To reduce the quantity: go through the table until it restarts after 50.
The range runs from 0, 1, 2, 3, 4.... 50.
4. Now wait for 6 seconds. The selected quantity is has been saved.

5.2 Setting of the display to show cups or litres

The appliance is factory set to display the number of cups.

If you want the display to show litres, you can adjust it as follows:

1. Press the selection button (5.4) and hold it in, then press the start/stop button (5.5) once. A number will appear in the display.
2. Release both the buttons and then press the start/stop button once again.
3. A "C" (Cups) will appear in the display. Change the "C" to an "L" with the selection button.
4. Now wait for 6 seconds. The adjustment has been saved.

5.3 Setting of the prewet function

This appliance can make coffee using two methods:

Continue-brew ("Cb ") (factory setting); The coffee making process begins immediately and will pour hot water over the ground coffee without a waiting time. Prewet-brew ("Pb"); part of the hot water is first poured onto the ground coffee. This causes the coffee to rise so that the smells and flavours are released. The coffee making process then begins. If you want to set the appliance to Prewet brew, this setting can be changed as follows:

1. Press the selection button (5.4) and hold it in. Then press the start/stop button once. A number will appear in the display.
2. Release both buttons and then press the start/stop button twice. "Cb" (Continue-brew) will appear in the display.
3. Use the selection button to change "Cb" into "Pb" (Prewet-brew).
4. Now wait for 6 seconds. The adjustment has now been saved.

5.4 Setting the water temperature of the water boiler

WARNING

- In high altitude areas (> 2000 metres.) the water will boil sooner because of lower atmospheric pressure. Adjust the temperature of the water boiler, so it will not boil.
 - The manufacturer is unable to accept any liability for the consequences of altered settings.
-

On delivery the temperature of the water boiler is set at approx. 90 C.

With the adjustment point (12.3) the temperature of the water boiler can be increased/reduced within a range of 84 – 98°C. Use a small screw driver for this. To reduce the temperature, turn left. To increase the temperature, turn right.

6. Maintenance

WARNING

- The appliance must not be submerged or sprayed.

6.1 Cleaning of the appliance and accessories

- Clean the outside of the appliance with a clean, damp cloth, if necessary using a mild (non-abrasive) cleaning agent.
- Do not use an abrasive, as this will leave scratches and dull patches.
- The glass jugs and the basket filter can be washed normally and rinsed clean. Please note, however, that it is inadvisable to clean the basket filter in an industrial dish washer as its lightness may cause it to float and sustain damage.
- The thermos jug, thermos jug with pump and the filter can be rinsed with hot water.
- The coffee deposit in the coffee jugs and the filter can be cleaned with Animo coffee fur remover. The appliance is supplied with one sachet of coffee fur remover. It is easy to use.

6.1.1 Removing coffee deposits from glass jug and filter

1. Fill a tray with approx. 5 litres of warm water and dissolve a sachet of coffee fur remover in it.
2. Place the parts you want to clean in this solution and leave them to soak for 15 to 30 minutes.
3. Then rinse them several times with hot water, and repeat when necessary.
4. Sprinkle the powder on to heavily soiled parts and clean them with a wet brush.

6.1.2 Removing coffee deposits from thermos jug

1. Dissolve a quantity of coffee fur remover in warm water: use approx. 2 grams per litre.
2. Fill the thermos jug with this solution.
3. Leave the solution to soak for 15 to 30 minutes, then pour it away.
4. Rinse the jug thoroughly with hot water and repeat this several times.

CAUTION 

- Stay close to the appliance when performing maintenance.
 - It is advisable to wear safety glasses and protective gloves when descaling the appliance.
 - Flush the appliance at least two times after descaling it.
 - Wash your hands thoroughly after descaling the appliance.
-

6.2 Descaling

6.2.1 Descaling of the coffeemaker

Scale deposits are left in the heating system when the appliance is used. The amount of scaling depends on the hardness of the water being used. The appliance is fitted with a descale indicator light (5.2), which lights up when the heating system has processed a certain quantity of water and has to be descaled. The appliance continues to work so that it can be descaled when it is not being used.

**NOTICE**

- It is recommended to descale the coffee making section and the water boiler in succession.
 - Observe the descaling intervals indicated by the descale indicator light. Overdue maintenance to the heating system can result in high repair costs and annulment of the guarantee.
-

1. Before descaling the appliance, carefully read the instructions for use on the descaling agent. We advise you to use the tried and tested Animo descaling agent.
2. Slide an empty basket filter (3) and place an empty jug under it.
3. Remove the cap (8) and place the funnel (supplied) into the descaling opening.
4. Dissolve one 50 gram sachet of Animo descaling agent in 0.5 litre of warm water (approx. 60-70°C).
5. Carefully pour half of the solution into the descaling opening (8) using the funnel
6. Switch on the appliance using the switch (1). Select 2 cups using the selection button (5.4) and press the start/stop button (5.5). The solution will now run through the heating system and discharge into the jug.
7. Wait until the 'coffee ready' signal sounds. The solution will now react with the deposit in the heating system.
8. After the waiting time, repeat points 5 and 6.
9. Wash away the solution in the jug once the filter has finished dripping.
10. Remove the funnel and replace the cap.
11. After descaling the appliance, flush the system by following the coffee making procedure twice but without using filter paper or coffee. Remember to empty the jug in the mean time.
12. Switch off the appliance and thoroughly clean the basket filter and the jug.
13. The appliance is now ready for use.

6.2.2 Switching-off the descale indicator light

1. Press the selection button (5.4) for 6 seconds; the descale indicator light (5.2) will go out.
2. The control system resumes registering the number of brewing processes.



LET OP

Leave the lid of the water boiler open during the descaling process.

6.2.3 Descaling the water boiler

1. Before descaling the water boiler, carefully read the instructions for using the descaling agent. We advise you to use the tested Animo descaling agent.
2. Switch the water boiler off when the temperature ok indicator light (12.2) is on. Leave the water boiler switched off during the whole descaling process.
3. Draw off approx. 1.5 litres. of hot water using the no-drip tap (11) and dissolve 2 sachets of 50 grams. Animo descaling agent in it.
4. Pour the solution into the water boiler. This will start a (fizzy) reaction on the scale deposits.
5. Leave this solution during 10 minutes to soak in. Regularly spread the solution over the scaled parts in the water boiler using a brush. Draw off some solution and pour it back immediately.
6. The entire water boiler can be emptied by using the water drain (22) on the back of the appliance.
7. Make sure that the end of the tap hose is in the sink.
8. Pull the tap plug together with approx. 20 cm. hose out of its compartment. Remove the plug by squeezing the hose just before the seal plug.
Warning: The water is still hot.
9. Draw the water boiler completely empty and rinse well using clean warm water. Rinse away all of the solution.
10. Close off the tap hose and push it back into its compartment
11. Switch the water boiler on/off (13). The water boiler will fill up again.
12. If there is still scale in the water boiler, repeat steps 3 to 9.
13. Before use, rinse the no-drip tap once more by drawing off approx. 1 litre. of hot water.
14. The water boiler is now ready for use.

7. Troubleshooting

WARNING

- Have all repairs to the electrical system performed by a qualified service technician.

If your appliance is not functioning correctly, use the troubleshooting guide below to see whether you can resolve the problem yourself. If not, please contact your dealer.

Troubleshooting guide coffee making selection

Symptom:	Possible cause:	Action:
The appliance is not working and the lamps in the switch are not lighting up.	The fuse in the fuse box has been triggered, the group is loaded too heavily.	Replace the fuse or reset it. Connect the appliance to a separate group.
The brewing process indicator light (5.3) is flickering, no water is getting into the filter.	The jug indicator is not registering a jug. There is no jug under the filter.	Position a jug, use the correct jug.
The brewing process indicator light (5.3) is on, but no water is getting into the filter.	The dry-boil protection has been triggered.	Reset the dry-boil protection. See page 26. Safeguards; dry-boil protection.
The descale indicator light (5.2) has come on.	The scale deposits in the heating system exceed the set limit.	Descal the appliance, see chapter 6.2 Descaling.
The descale indicator light (5.2) remains on after descaling the appliance.	The appliance has not yet been reset.	Press the programme button (5.4) for 6 seconds. The light will go out. See chapter 3.2.7 Resetting the descaling indicator light.
Steam is coming from the filter.	The appliance was not descaled when indicated by the descale indicator light or the wrong water setting has been applied.	Descal the appliance, see chapter 6.2 Descaling See chapter 3.2.6 Setting the descaling indicator.
Coffee is dripping out of the filter when there is no jug under it.	The leak stop valve on the outlet of the filter is soiled or damaged.	Clean the filter and check the leak stop valve for damage.
The coffee is too strong.	Too much coffee has been placed in the filter.	Reduce the amount of coffee.
The coffee is too weak.	Not enough coffee has been placed in the filter.	Increase the amount of coffee.
	The water distributor is soiled, so that the coffee is not being completely drenched.	Unscrew the water distributor and clean it

Troubleshooting guide coffee making selection

Symptom:	Possible cause:	Action:
The coffee is not hot enough	There is no lid on the jug.	Use the lid.
The jug is too full or is overflowing	The set quantity is too high.	Lower the quantity. See chapter 5.1 Setting the amount of coffee.
Not enough coffee is getting into the jug.	The set quantity is too low.	Increase the quantity. See chapter 5.1 Setting the amount of coffee.
E1 (filling time error)	Appliance fills too slowly, the water supply is blocked	Check the water supply. Fully open the tap. Increase the water pressure. Switch the appliance on and off. The error report will disappear.
E8 (minimum water sensor fault) from software version 1.4	Reservoir does not fill during the brewing proces.	
An E2, 3, 4, 5, 6, 7 appears in the display and both indicator lights flickers.	The control unit is reporting a defect that can only be resolved by a service technician.	Contact dealer or service technician.

Troubleshooting guide water boiler

Symptom:	Possible cause:	Action:
After filling until the max. level, the heating does not come on.	The dry-boil protection has been switched off.	Switch the dry-boil protection back on.
The water boiler does not heat up, both indicator lights are flickering.	The safety electrode has turned off the system, the water level is too high. The lower electrode needs to be descaled.	Switch off the water boiler. Descal the water boiler and the electrodes. Please note: after descaling, the electrodes need to be free of acid.
	The water temperature is set too high. The water is boiling and touches the safety electrode which turns off the system.	Switch off the water boiler. Set the water temperature at a lower level. See chapter 4.7: Setting of water temperature water boiler. Clean the electrodes.
After descaling, the water boiler does not fill up.	The electrodes are not free of acid.	Switch the water boiler off and then turn it on again.
The water boiler does not heat up or fills partially and switches off, both indicator lights start to flicker.	The water boiler fills up too slowly.	Open the water supply tap completely. Check the connection hose for kinks. Check if the filter of the solenoid valve is clogged up.
The water boiler does not heat up, both indicator lights keep flickering. Switching the water boiler off and back on, does not help.	Switch off the appliance.	Call your dealer or service technician.

8. Consumer articles and accessories

See the list below for the consumer articles and accessories available for the appliance. You can order these parts via your dealer, stating the details of the appliance given on the type plate, a description of the item, article number and quantity.

Consumer articles



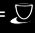

Description	Art.No.	Qty.
Filter paper 90/250	01088	1 box 1000 pcs.
Coffee fur remover	49009	1 box 100 sachets (10 grams)
Scale remover	49007	1 box 48 sachets (50 grams)

Accessories

Description	Art.No.	Qty.
Filter with leak stop	99232	1
Permanent filter	01060	1
Coffee measuring cup	08090	1
Water measuring cup 2 ltr.	08341	1
Glass jug 1.8 ltr	08208	1
Thermos container 2.4 ltr.	50241	1
Drip tray thermos container	07942	1
Stainless steel drip tray M200W	12699	1
Stainless steel drip tray MT200W	12698	1
Funnel	07947	1
Water connection hose	08165	1

Table for setting the amount of coffee

see chapter 5.1

Program	Water volume Ltr.	Display	
20		 = 	 = Ltr.
0	1,00	8	1,0
1	1,04	8	1,0
2	1,08	9	1,1
3	1,12	9	1,1
4	1,16	9	1,2
5	1,20	10	1,2
6	1,24	10	1,2
7	1,28	10	1,3
8	1,32	11	1,3
9	1,36	11	1,4
10	1,40	11	1,4
11	1,44	12	1,4
12	1,48	12	1,5
13	1,52	12	1,5
14	1,56	12	1,6
15	1,60	13	1,6
16	1,64	13	1,6
17	1,68	13	1,7
18	1,72	14	1,7
19	1,76	14	1,8
20	1,80	14	1,8
21	1,84	15	1,8
22	1,88	15	1,9
23	1,92	15	1,9
24	1,96	16	2,0
25	2,00	16	2,0
26	2,04	16	2,0
27	2,08	17	2,1
28	2,12	17	2,1
29	2,16	17	2,2
30	2,20	18	2,2
31	2,24	18	2,2
32	2,28	18	2,3
33	2,32	19	2,3
34	2,36	19	2,4
35	2,40	19	2,4
36	2,44	20	2,4
37	2,48	20	2,5
38	2,52	20	2,5
39	2,56	20	2,6
40	2,60	21	2,6
41	2,64	21	2,6
42	2,68	21	2,7
43	2,72	22	2,7
44	2,76	22	2,8
45	2,80	22	2,8
46	2,84	23	2,8
47	2,88	23	2,9
48	2,92	23	2,9
49	2,96	24	3,0
50	3,00	24	3,0

Animo

Animo B.V. Headoffice
Dr. A.F. Philipsweg 47
P.O. Box 71
9400 AB Assen
The Netherlands

Tel. no. +31 (0)592 376376
Fax no. +31 (0)592 341751

E-mail: info@animo.nl
Internet: <http://www.animo.nl>



Accredited by
the Dutch Council
for Certification



Rev. 0 02/01 Art.nr 09830